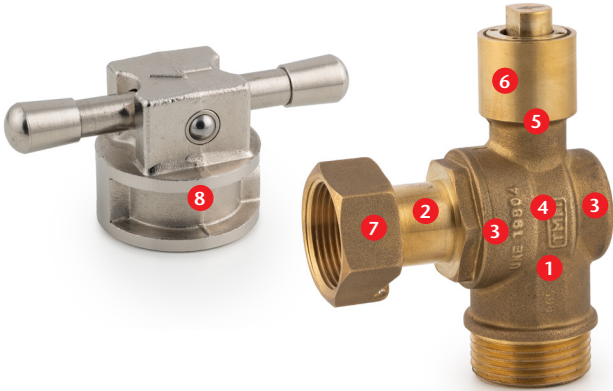




## PRODUCT



## MATERIALS

- 1 **BODY** Brass CW617N according to EN-12165
- 2 **LID** Brass CW617N according to EN-12165
- 3 **SEAT** PTFE suitable for contact with drinking water.
- 4 **BALL BRASS** · Chrome surface finish  
· Antilime.
- 5 **SHAFT** Brass CW617N according to EN-12164
- 6 **WATERTIGHTNESS SEAL** EPDM
- 7 **NUT** Brass CW614N according to EN-12164
- 8 **HANDLE** Magnetic square made in brass.

## FEATURES

**NOMINAL PRESSURE** 20 bar (PN-20).

**MAXIMUM TEMPERATURE** 70°C.

**MINIMUM TEMPERATURE** -10°C

**Anti-leak system** on shaft.

Valve according to EN-13828 and UNE-19804.

Noise level always below 50dB

**NOTE:** All materials used to manufacture these valves are suitable for contact with water intended for human consumption.

## FITTINGS



## DESCRIPTION

Angular ball valve for domestic cold and hot water, general supply installations and inlet of water-meters.

Patented anti fraud magnetic blocking system in the shaft and maneuver with special handle-tool.

## MAIN DIMENSIONS

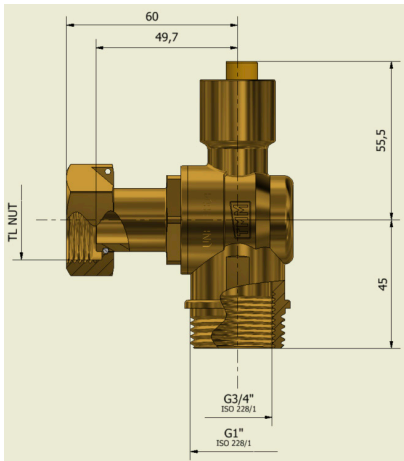


Illustration 1: C-525

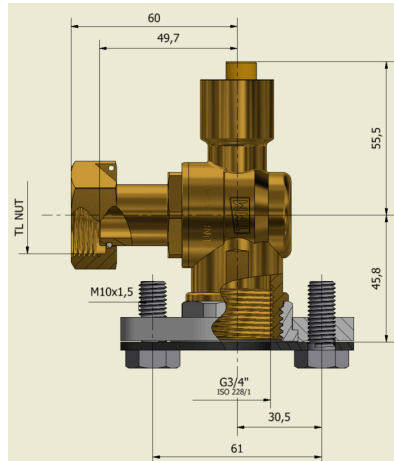


Illustration 2: C-545

Ref.	Model	Ball	TL NUT
F3302001	C-525	Chromed	3/4"
F3302002			7/8"
F3302003			1"
F3312001		Antical	3/4"
F3312002			7/8"
F3312003			1"
F3302101	C-545	Chromed	3/4"
F3302102			7/8"
F3302103			1"
F3312101		Antical	3/4"
F3312102			7/8"
F3312103			1"