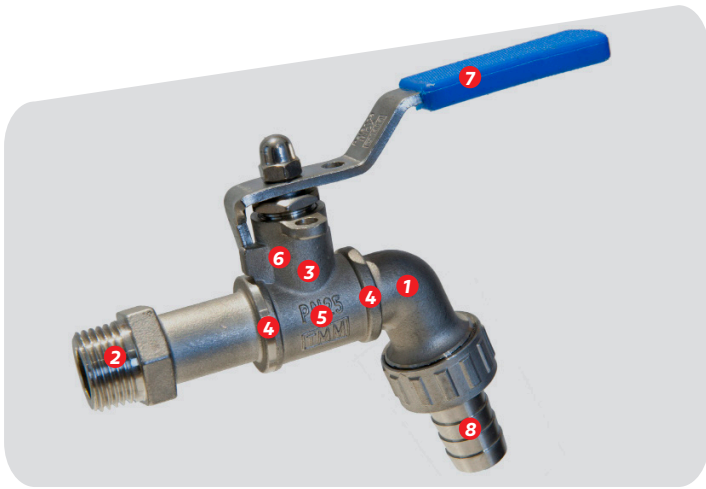




### PRODUCT



### MATERIALS

- 1 BODY CW617N brass, according to EN 12165.
- 2 LID CW617N brass, according to EN 12165.
- 3 SHAFT CW617N brass, according to EN 12164.
- 4 SEATS PTFE, suitable for contact with drinking water.
- 5 BALL Brass · Chrome-Plated.
- 6 WATER-TIGHTNESS SEAL EPDM
- 7 HANDLES · AISI-304 Stainless Steel.
- 8 LINK · Nozzle  
· Fast-Link

### FEATURES

**NOMINAL PRESSURE** 25 bar (PN-25).  
**MAXIMUM TEMPERATURE** 150°C.  
**MINIMUM TEMPERATURE** -10°C

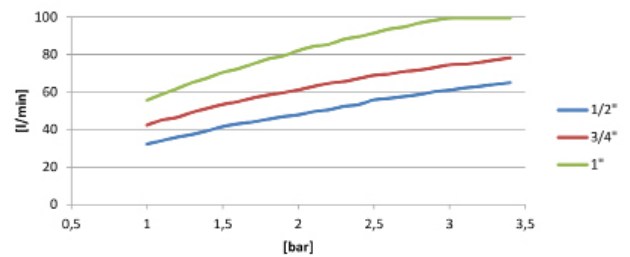
**NOTE:** All materials used to manufacture these valves are suitable for contact with water intended for human consumption.

Anti-leak system on shaft.  
 Padlockable

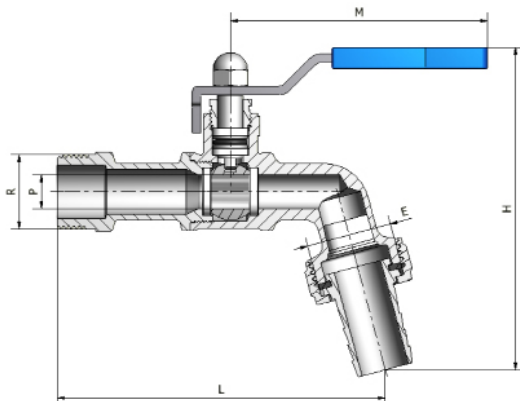
### FLOW RATE VS PRESSURE

For a 3bar pressure the flow rate is as follow, according to the inlet size of the valve.

Measure	Flow Rate [l/min]
1/2"	61
3/4"	75
1"	99



### MAIN DIMENSIONS



Ref.	R	E	DN	Dimensions (mm)			
				P	L	h	H
0131101	1/2"	3/4"	10	10	100	105	91
0131102	3/4"	1"	15	12	116	114	91
0131103	1"	1, 1/4"	15	15	128	133	110