



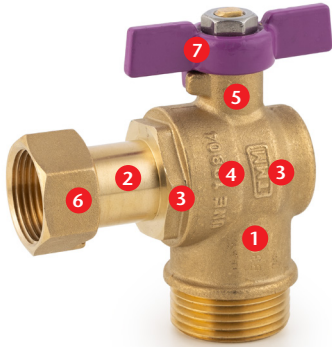
www.tmmanterola.com

Tips for installation,
use and maintenance



TECHNICAL SPECIFICATIONS M-525

PRODUCT



MATERIALS

- 1 BODY Brass CW617N according to EN-12165
- 2 LID Brass CW617N according to EN-12165
- 3 SEAT PTFE suitable for contact with drinking water
- 4 BALL BRASS · Chrome surface finish
· Antilime
- 5 SHAFT Brass CW617N according to EN-12164
- 6 NUT Brass CW614N according to EN-12164
- 7 HANDLE · Brass butterfly
· Brass Square

FEATURES

NOMINAL PRESSURE 20bar (PN-20). **NOTE:** All materials used to manufacture these valves are suitable for contact with water intended for human consumption.
MAXIMUM TEMPERATURE 70°C.
MINIMUM TEMPERATURE -10°C
Anti-leak system on shaft.
 Valve according to EN-13828 and UNE-19804.
 Noise level always below 50dB.

FITTINGS



DESCRIPTION

Angular ball valve for inlet or outlet water-meters installations of cold water.

MAIN DIMENSIONS

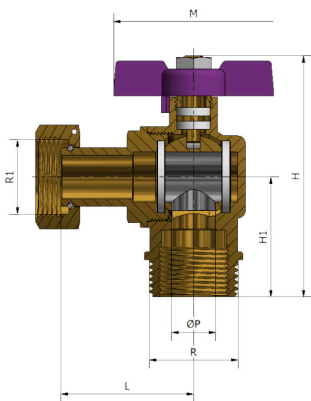


Illustration 1: M-525

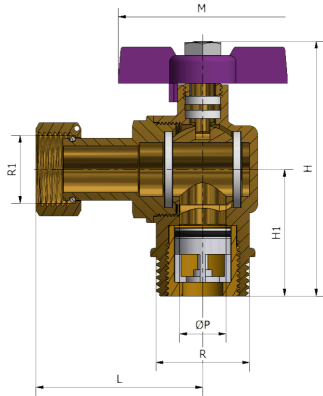


Illustration 2: M-515

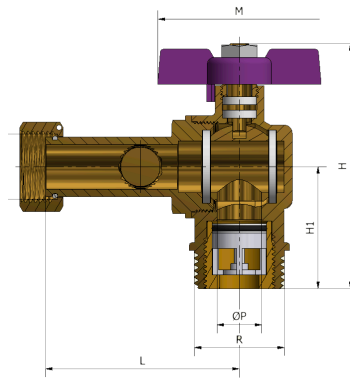


Illustration 3: M-516: valve with purger.

Ref.	Measure R	DN	R1	ØP	L	H	M
0302501	1"	DN20	3/4"	16,5	50	90	45
0302502			7/8"				
0302503			1"				

Ref.	Measure R	DN	R1	ØP	L	H	M
0304501	1"	DN20	3/4"	16,5	71,5	90	45
0304502			7/8"				

Ref.	Measure R	DN	R1	ØP	L	H	M
0304601	1"	DN20	3/4"	16,5	50	90	45
0304602			7/8"				
0304603			1"				