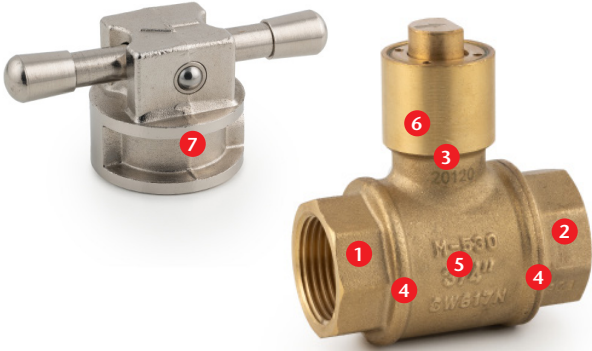




PRODUCT



DESCRIPTION

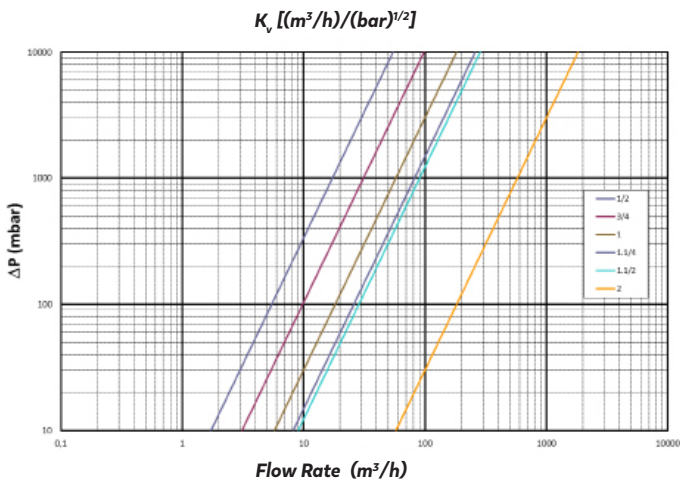
Ball valve for domestic cold and hot water, inlet of water-counters and general water supply installations.
Patented anti fraud magnetic blocking system in the shaft and maneuver with special handle-tool.

KV FLOW COEFFICIENT

It is called Kv to the water quantity, in cubic meter per hour, which must pass through the valve to generate 1 bar pressure loss.

Each valve size has a Kv value.

Measure	1/2"	3/4"	1"	1.1/4"	1.1/2"	2"
$K_v [(m^3/h)/(bar)^{1/2}]$	17	31	58	82	90	577



MATERIALS

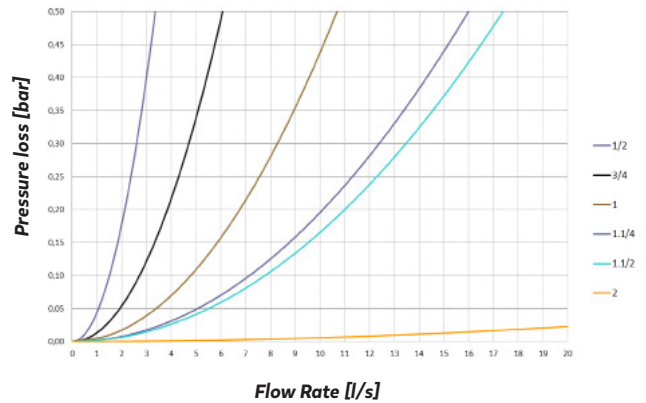
- 1 **BODY** Brass CW617N, according to EN-12165.
- 2 **LID** Brass CW617N, according to EN-12165.
- 3 **SHAFT** Brass CW617N, according to EN-12164.
- 4 **SEATS** PTFE, suitable for contact with drinking water.
- 5 **BALL** Brass · Chrome-Plated.
· Anti-Lime.
· Anti-Ice.
· Anti-Lime & Anti-Ice.
- 6 **WATER-TIGHTNESS SEAL** EPDM
- 7 **HANDLES** Magnetic square made in brass

FEATURES

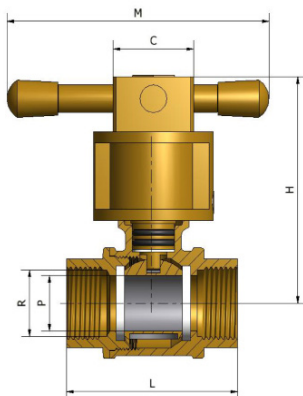
- NOMINAL PRESSURE** 60 bar (PN-60).
 - MAXIMUM TEMPERATURE** 150°C.
 - MINIMUM TEMPERATURE** -10°C
(Anti-Ice -30°C).
 - Anti-leak system** on shaft.
 - Anti fraud Magnetic Blocking System**
- NOTE:** All materials used to manufacture these valves are suitable for contact with water intended for human consumption.

PRESSURE LOSS CHART

Pressure loss chart depending on the flow, according to EN 1267.



MAIN DIMENSIONS



Ref.	Measure R	DN	Dimensions (mm)				
			P	L	H	M	C
F3203101	1/2"	15	15	52	66	100	30
F3203102	3/4"	20	20	63	69		
F3203103	1"	25	25	73	74		
F3203104	1.1/4"	32	32	86,5	78,5		
F3203105	1.1/2"	40	40	96,5	94	140	
F3203106	2"	50	50	114	101		